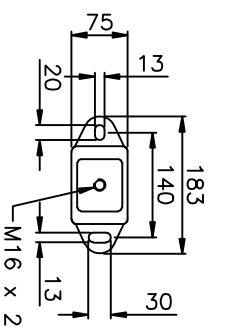
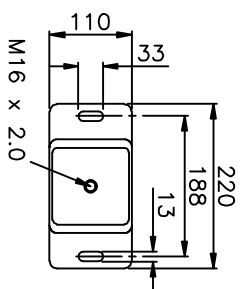
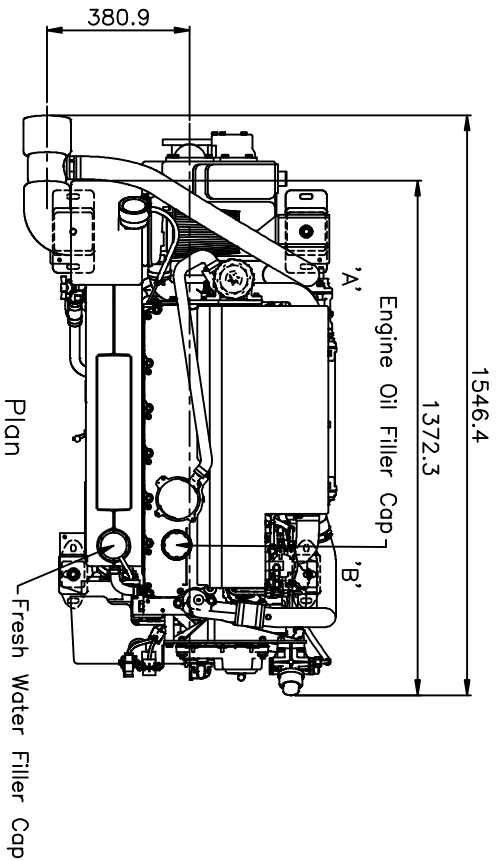


Perkins M300C & M250C Marine Diesel Engine
 Shown with PRM1000D gearbox with reduction ratios up to
 and including 2.03:1 (M300C) and 2.86:1 (M250C) ratios
 (622 mm transverse mounting centres)

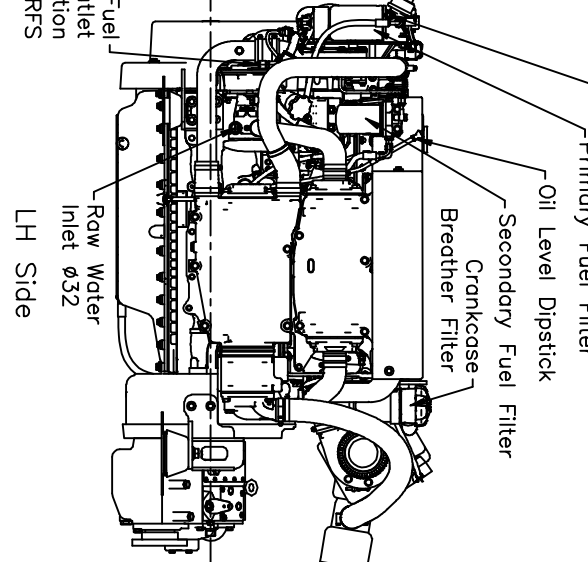
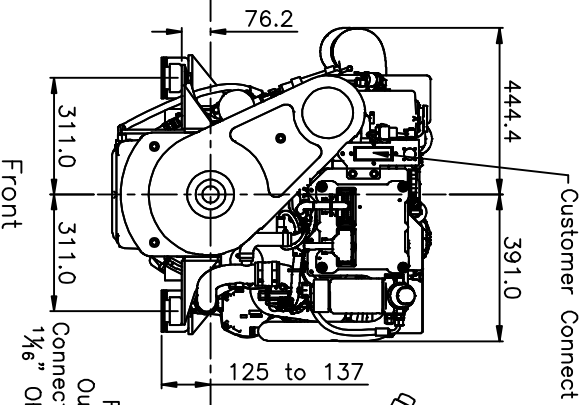
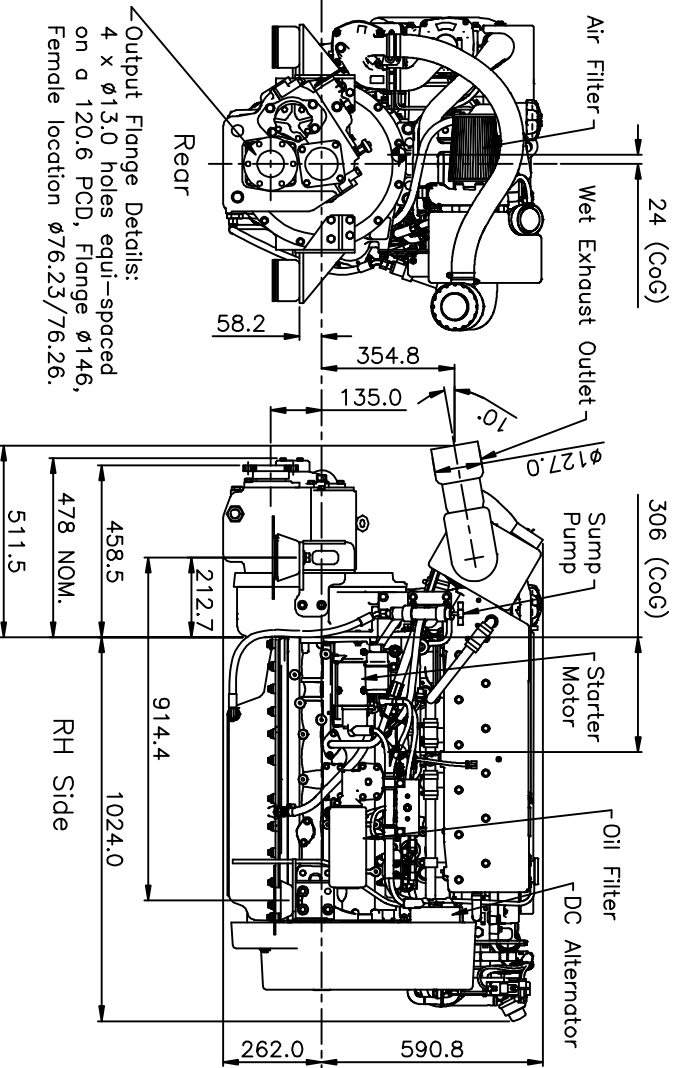
WIMBORNE MARINE POWER CENTRE
 Wimborne, Dorset, England.
 Tel. +44(0)1202 893720
 Fax. +44(0)1202 851700
 E-mail. Wimborne_MPC_post@cat.com
 www.Perkins-Sabre.com

Total Dry Weight: 790kg



FLEXIBLE ENGINE MOUNT 'A'

FLEXIBLE ENGINE MOUNT 'B'



Output Flange Details:
 4 x ø13.0 holes equi-spaced
 on a 120.6 PCD, Flange ø146,
 Female location ø76.23/76.26.